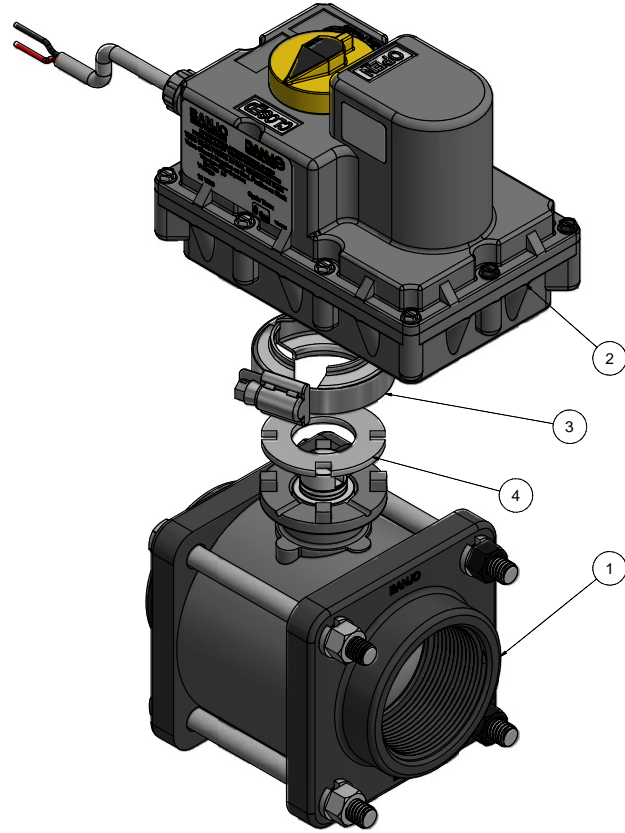


NOTE:

VALVE OPEN: +12V ON RED, -12V ON BLACK
 VALVE CLOSE: -12V ON RED, +12V ON BLACK

Parts List			
ITEM	QTY	PART NUMBER	DESCRIPTION
1	1	EV204XR1	2" FP EV Valve Only
2	1	EVR4302	6 Sec, 2 Wire EV High Torque Actuator Assy
3	1	FC100	1" HI TORQUE CLAMP
4	1	MVE004	MVE Mounting Breather



BANJO CORPORATION
 150 BANJO DRIVE, CRAWFORDSVILLE, IN 47933
 WEB SITE: WWW.BANJOCORP.COM
 E-MAIL: BANJOSALES@IDEXCORP.COM

THIS DRAWING AND ALL INFORMATION CONTAINED THEREON ARE THE EXCLUSIVE PROPERTY OF BANJO CORPORATION.
 UNLESS SPECIFICALLY NOTED, THIS DRAWING AND ITEMS SHOWN ON THIS DRAWING ARE SUBJECT TO CHANGE AT ANY TIME.

DESCRIPTION	2" FP Electric Valve 6 Sec, 2 Wire, Reg
PART NUMBER	EV2042FP